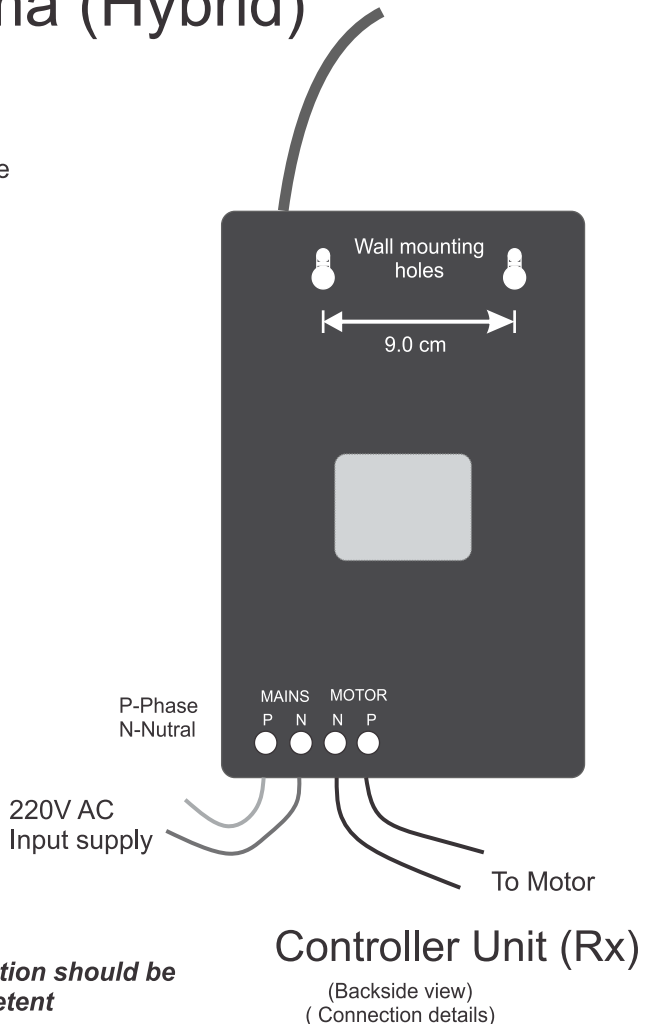




Installation guide of Prima (Hybrid)

Tools Required:

- 1) Electric Hand Drill machine
- 2) Masonry Drill Bit 6 mm.
- 3) Light weight hammer
- 4) Screw driver
- 5) Wire cutter/ stripper



Caution: The installation should be executed by a competent electrician.

Fig-1

Installation Manual

Thanks for purchasing the Model: PRIMA . Please read this document carefully for proper installation. This installation must be carried out by trained electrician.

Installation of Tank Level Transmitters: First of all the transmitter unit has to be fixed as per Fig-2. Separate arrangements has been shown in figure for overhead tank transmitter and underground tank level transmitter. The transmitters have inbuilt power supply, hence no external power supply is required.

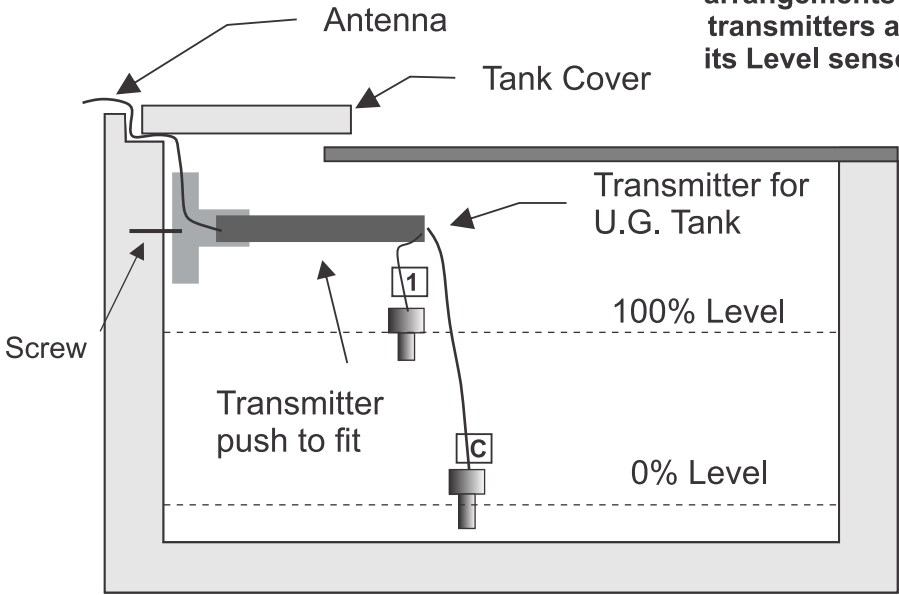
Utmost care has to be taken not to cut/damage/ scratch sensor wires. Position the sensors as shown in Fig-2. The excess sensor wire may be coiled and pushed inside attached Plastic Tube and tied to pipe with tiebelt properly. A black protective flexibly tube is provided to place it properly to protect sensor wire from damage by closing the tank cover.

There are 2 short wires black and red color joint together. Cut/ break them apart so that the transmitter unit will start sending signal. After placing the sensors you have to get the tank full upto Full Level Sensor so that transmitter unit will calibrate the sensor. Now transmitter unit will send the data regarding water level of tank.

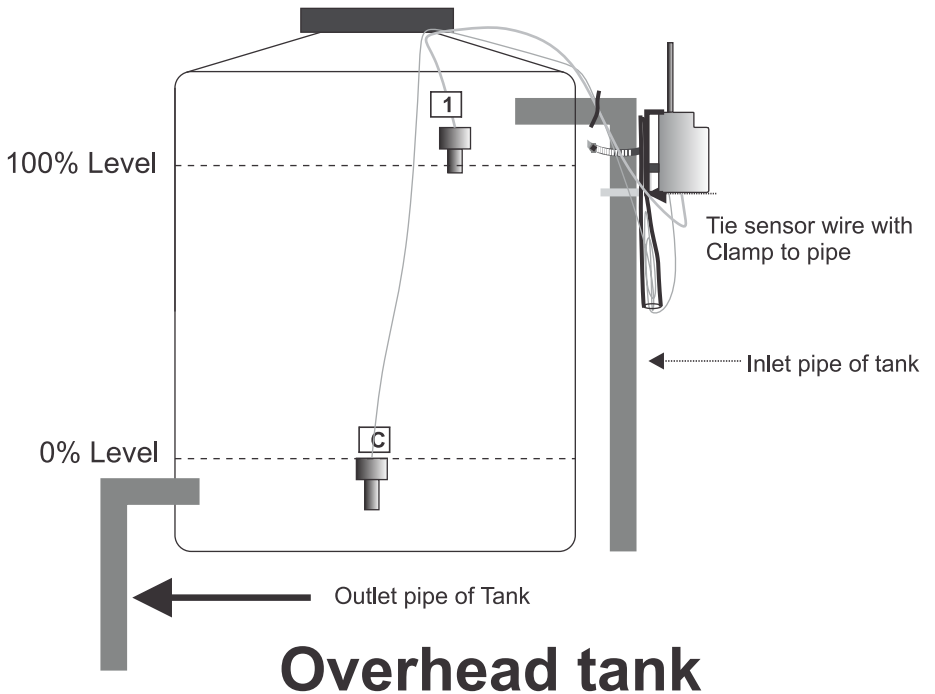
Installation of Controller Unit:

After installation of both the Level Transmitter, make power supply connection to the controller unit as per Fig-1 and switch on power supply. Now place the controller Unit (Rx) near the motor switch on the wall at desired place and hold it there by hand. Within 5 minute the controller should get the signal (No signal LED will stop glowing/ blinking). If It gets the signal, install the unit as shown in Fig-1. If its unable to get signal, change the location little bit and check for signal.

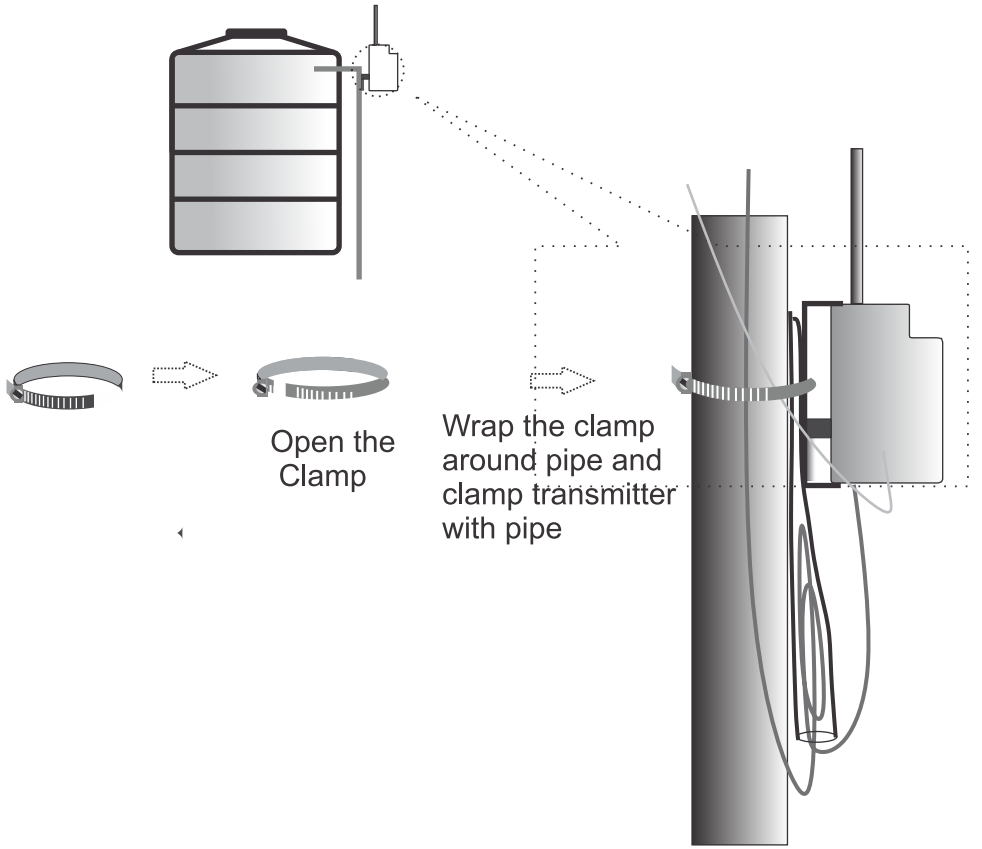
Schematic showing arrangements of transmitters and its Level sensors



Under Ground Tank



Overhead tank



Steps showing fixing overhead tank transmitter